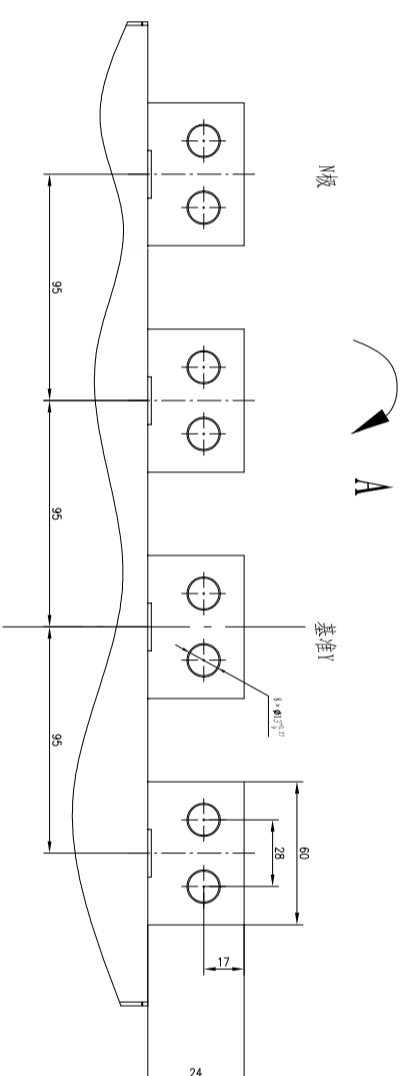
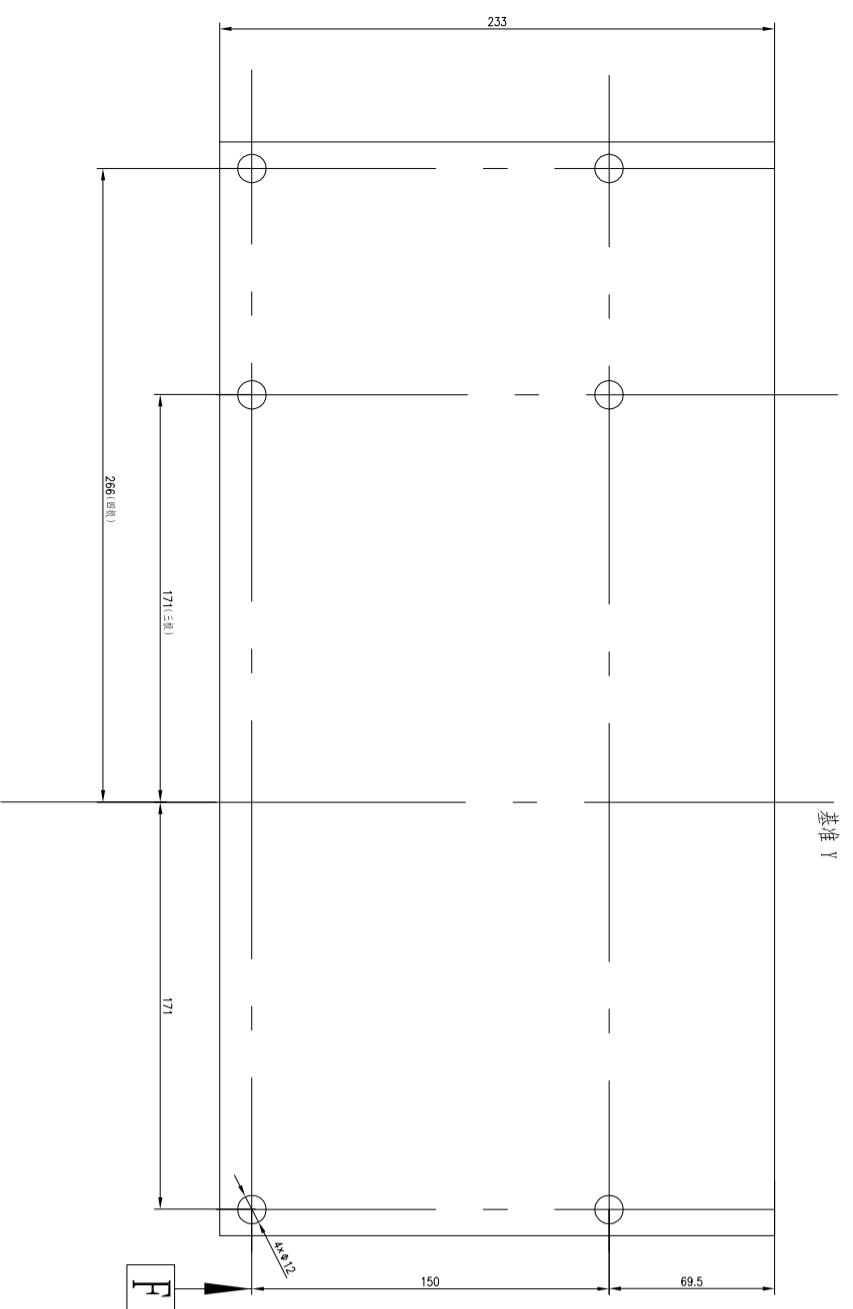


面板开孔



H	备注
10	In=630A
15	In=800A~1600A
20	In=2000A